

ESG Three-phase Dry-type Transformer

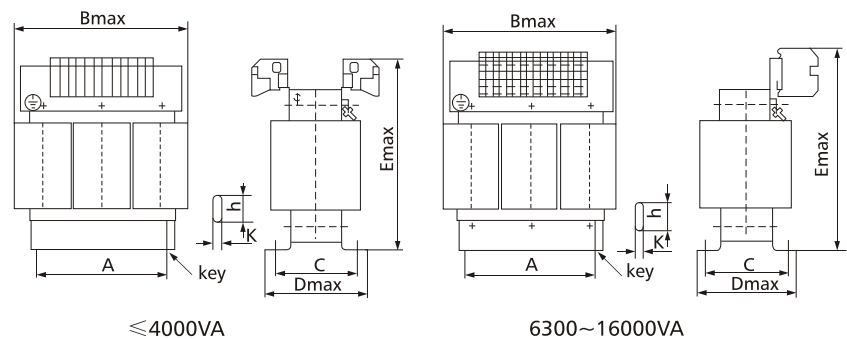
Summary

Our company has adopted the high-quality material and advanced technology to specialize in three-phase voltage transformers of ESG series for many years to get between 160VA and 600KVA, it is our company newly develops the numerical control system transformer according to the like product of Siemens company. especially three-phase transformers between 160VA and 600KVA, the size of installation of the appearance of the products has been already standardization. in common use with Siemens 4AP series, the products accord with such international & national standards as VDE0050, IEC5555, BG5226 ect.

ESG three-phase dry-type transformer suitable for alternating current of 50-60Hz, input and the occasion that various kinds of three-phase supply power which output voltage test than 500V.

The level of various output voltage of the products, join the group, the amount and the position of the adjust tap (generally 5%) distribution of the capacity of winding, the outfit of the secondary single-phase winding, the application of the rectification circuit, whether need out cover, all can be make meticulous design and manufacture according to the request of user.

Outline and installation dimension



Type	Overall size			Installation size (mm)		Installation hole (mm)		Tablets
	Amax	Bmax	Emax	A	C	k×h	Screw	
ESG-160	124	64	139	90	49	5×8	M4	20
ESG-250	151	67	162	113	49	6×12	M5	25
ESG-400	151	82	162	113	64	6×12	M5	25
ESG-630	180	83	188	136	56	7.4×13	M6	30
ESG-1000	180	102	188	136	76	7.4×13	M6	30
ESG-1600	229	123	217	176	94	7.4×13	M6	38
ESG-2500	262	138	248	200	101	10×18	M8	
ESG-4000	300	154	277	224	118	10×18	M8	50
ESG-6300	361	169	316	264	138	10×18	M8	60
ESG-10000	420	185	366	316	141	12×18	M10	70
ESG-16000	480	194	411	356	155	15×22	M12	80